

BioEntry P2/R2

1:1 Scale Drilling Template

Template Instruction.

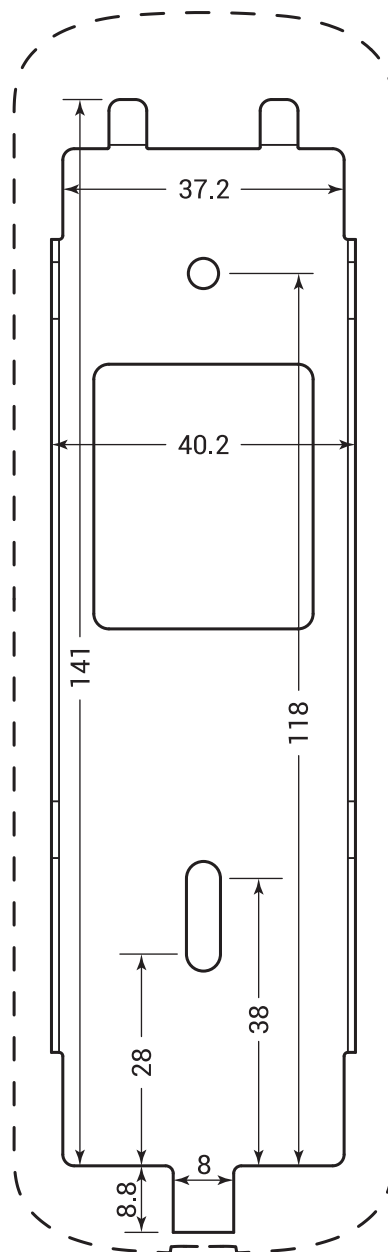
1. Open with Adobe Acrobat Reader.

2. Click **File > Print**.

3. Select **Actual size**.

4. Click **Print**.

DO NOT USE CUSTOM SCALE.



16F Parkview Office Tower,
Jeongja, Bundang, Seongnam, Gyeonggi,
463-863 Republic of Korea
TEL) +82-31-783-4502
FAX) +82-31-783-4503
support@supremainc.com